

PCR laminar flow cabinet



PCR laminar flow cabinet is for processes involving Polymerase Chain Reaction amplification and manipulation of DNA and RNA. Our PCR laminar flow cabinet with Vertical Laminar Flow to protect the operation samples from contamination.

PCR



Smart Control

Microprocessor controller with color LCD display realtime control and show airflow velocity, filter life, time, temperature, UV appointed time.



Super Cleaness

HEPA filter with efficiency 99.99% @0.3um, provides work area cleanliness at ISO5 of ISO14644-1, ISO100 of Federal Standard 209E



Stable Velocity

Velocity is adjustable from 0.26m/s to 0.38m/s provides super samples protection,



UV Decontamination

UV timer for user easy control the UV lamp start and stop time.

UV lamp is interlock with front sash glass window and LED light to ensure safe use



Safety Alarm System

Alarm on blower malfunction, velocity abnormal, front sash glass work height and HEPA filter life

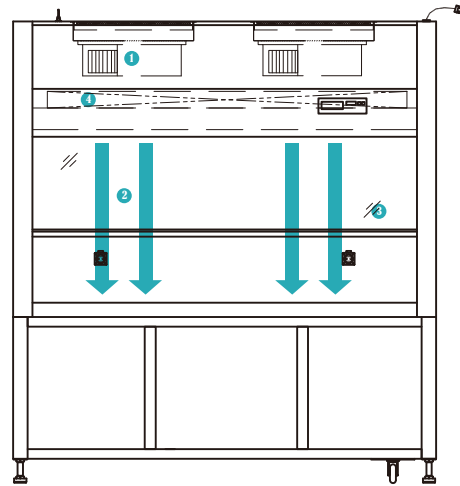
PCR Cabinets are used for reagent preparation and sample preparation to minimize contamination

> Performance

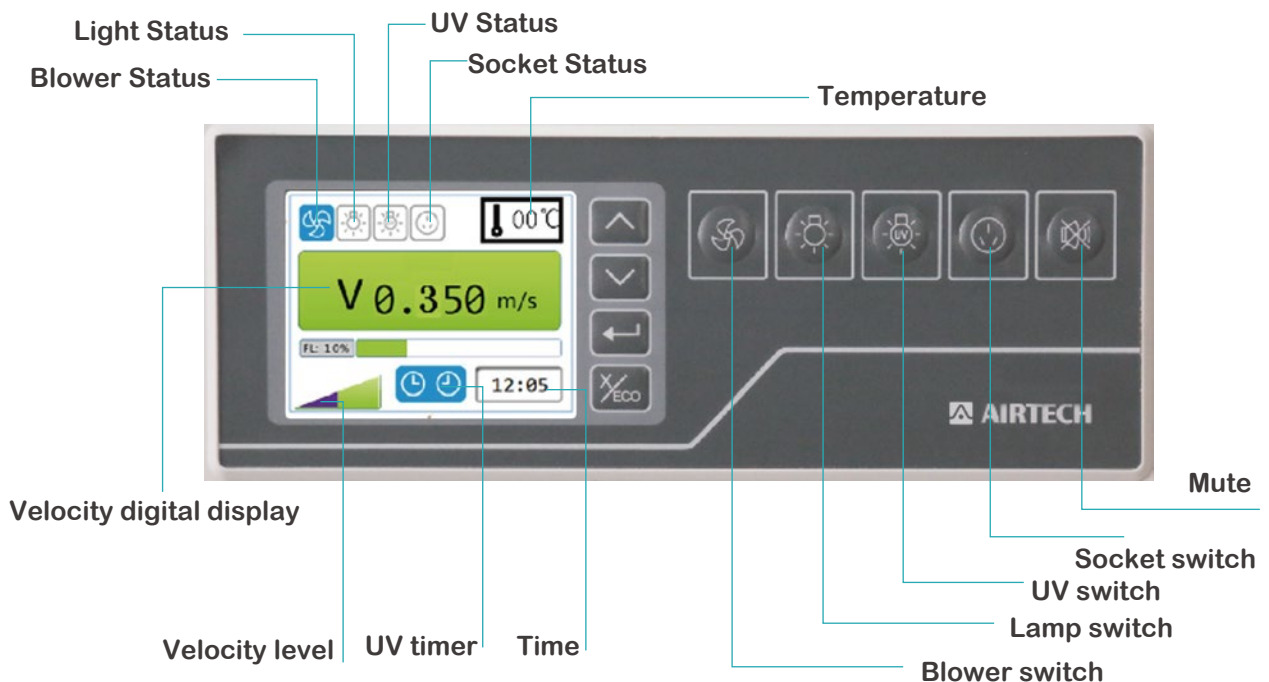
- Two pcs of washable G4 pre-filters traps large particles in the inflow air prior to reaching the main HEPA filter, protecting against damage and prolonging HEPA filter life
- Main HEPA filter with efficiency 99.99% @0.3um, provides work area cleanness at ISO5 of ISO14644-1, ISO100 of Federal Standard 209E
- Velocity is adjustable from 0.26m/s to 0.38m/s provides super samples protection, the display on the LCD screen, It is with alarm system, users easily to observe the velocity
- The power motor co-work together with velocity sensor provides the vertical down-flow air without turbulent flow which protects the samples out of contamination
- UV decontamination system is convenience for setting to decontamination the work area at any time

> Alarm System

- 1 Blower works abnormal alarm
- 2 Velocity exceed tolerance of setting value
- 3 Front sash glass height is not position alarm
- 4 HEPA filter life alarm



> Microprocessor Control System



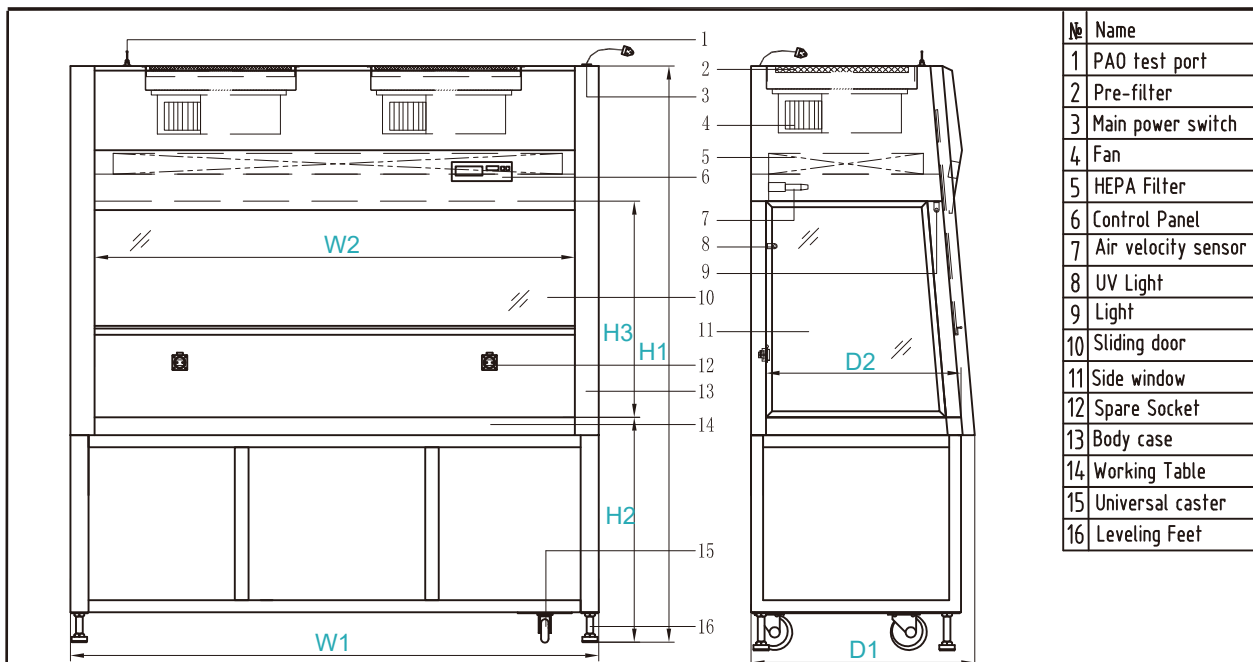
> UV Decontamination

- A powerful UV lamp with 253.7 nanometer, built-in cabinet, to enable the work zone to be decontaminated between experimental runs, thus preventing cross contamination
- The UV decontamination time can be set with the UV timer the UV timer can be easy set 00:00 to 23:59, adjustable can be separately on the minute and hour setting. UV can be also set auto stop time
- UV-filtering sash glass front and two glass sides protects UV exposure
- UV is interlock with light and sash glass window ensure the safe sue

> Reliable Construction

- Front sash glass door Max. open 590mm enable most device into the work area
- sash glass work height:210~330mm, user is more comfortable in operating the samples
- One-piece #304 stainless steel work surface with a rounded front edge is operator comfort and easy for cleaning. The thickness is 1.2mm for durable use
- The front sash glass is 5mm (HVS-1000/1300) and 6mm (HVS-1600/1800), left and right side are made of double layer glass, each layer glass is 5mm
- PAO test port is reserved for users to test the filter leakage easily

> Design Drawing



No	Name
1	PAO test port
2	Pre-filter
3	Main power switch
4	Fan
5	HEPA Filter
6	Control Panel
7	Air velocity sensor
8	UV Light
9	Light
10	Sliding door
11	Side window
12	Spare Socket
13	Body case
14	Working Table
15	Universal caster
16	Leveling Feet

Model	Dimensions in mm						
	H1	H2	H3	W1	W2	D1	D2
HVS-1000-U	1920	750	720	1180	1000	745	650
HVS-1300-U	1920	750	720	1480	1300	745	650
HVS-1600-U	1920	750	720	1780	1600	745	650
HVS-1800-U	1920	750	720	1980	1800	745	650

> Specification

Model	HVS-1000-U	HVS-1300-U	HVS-1600-U	HVS-1800-U
Nominal size	3 feet	4 feet	5 feet	6 feet
Internal Dimension (WxDxH)	1000×650×720mm	1300×650×720mm	1600×650×720mm	1800×650×720mm
External Dimension (WxDxH) without support stand	1180x745x1230mm	1480x745x1230mm	1780x745x1230mm	1980x745x1230mm
External Dimension (WxDxH) with support stand	1180x745x1920mm	1480x745x1920mm	1780x745x1920mm	1980x745x1920mm
Net Weight with support stand	170kgs	205kgs	230kgs	250kgs
Cleanness Class	ISO 14644-1, Federal Standard 209E for ISO 5/Class 100 air			
Laminar Airflow velocity	0.3m/s (Adjustable from 0.26m/s~0.38m/s)		0.3m/s (Adjustable 0.28m/s~0.36m/s)	
HEPA Filter	≥99.99% (@0.3µm)			
Prefilter	Washable Pre-filter			
Noise level	≤65dB (A)			
Vibration amplitude	≤5µm			
Concentration of descending bacteria	≤0.5cfu/0.5h (φ90mm Petri dish)			
Illumination	≥800Lux	≥900Lux	≥1000Lux	≥1000Lux
Controller	Airtech Microprocessor			
Display	LCD color Display			
Light (LED Lamp)	24.5W	31W	36W	36W
UV Lamp	20W (253.7 naometer)	30W(253.7 naometer)	30W(253.7 naometer)	30W(253.7 naometer)
Blower Nominal power Quantity	75Wx1	75Wx1	75Wx1	75Wx1
Water proof Sockets qty	500W/3A x2			
Work table	1.2 mm thickness 18 gauge stainless steel grade 304			
side wall	0.5mm glass double layers Anti-UV exporue			
Back wall	Baking finish steel			
Front slash window	0.5mm glass layers Anti-UV exporue		0.5mm glass layers Anti-UV exporue	
Exterior	Painted steel			
Power without socket power	180W	220W	220W	220W
Voltage	220V/50HZ;220V/60HZ			
Current	1.2A	2A	2A	2A



Antech Group Inc.

Tel: +86 532 87890321

Email: info@antechscientific.com

Web: www.antechscientific.com