

ANTECH



PuriFlow Series Class II Type B2 Biological Safety Cabinet

A choice of safety, intelligence and value
for routine applications

PuriFlow

The Antech Scientific PuriFlow Series Class II, Type B2 biological safety cabinets offer safety, intelligence and value to users. The cabinet is energy efficient and provides both personal and product protection from biological hazards and contamination. These cabinets are ideally suited for a wide range of applications including microbiological research, pharmaceutical development, clinical diagnostics, tissue culture, and handling biohazardous or infectious materials. Performance meets main international standards such as YY0569 and NSF49.



WiseFlow

- Advanced DC ECM blower, energy efficient and quite
- Constant Air Volume (CAV) and Constant Pressure Apheresis System (CPAS) technology for automatic airflow compensation
- U15 ULPA supply filter with filter life indicator alert
- ECO mode for faster airflow recovery & lower power consumption



Ergonomic design

- 10° sloped front for ergonomics
- 7" touch screen operated with WiseFlow control system, clear display and easy operation
- Motorized sash can be operated with touch screen, foot switch or remote controller
- Adjustable height stand provided as standard, match different users' requirements



Convenience

- Dual UV-timer allows more flexibility to match user's shifts
- Water collection container and drain valve under work tray for convenient cleaning
- Casters for easy moving, leveling feet for firm installation



Exhaust damper

Exhaust H14 HEPA filter

7" Touch screen with WiseFlow operating system

DC ECM blower

Programmable UV lamp

Supply U15 ULPA filter

Socket at both left and right part of rear wall

Valve installation port

Motorized front sash with 10° sloping

End-to-end raised arm rest

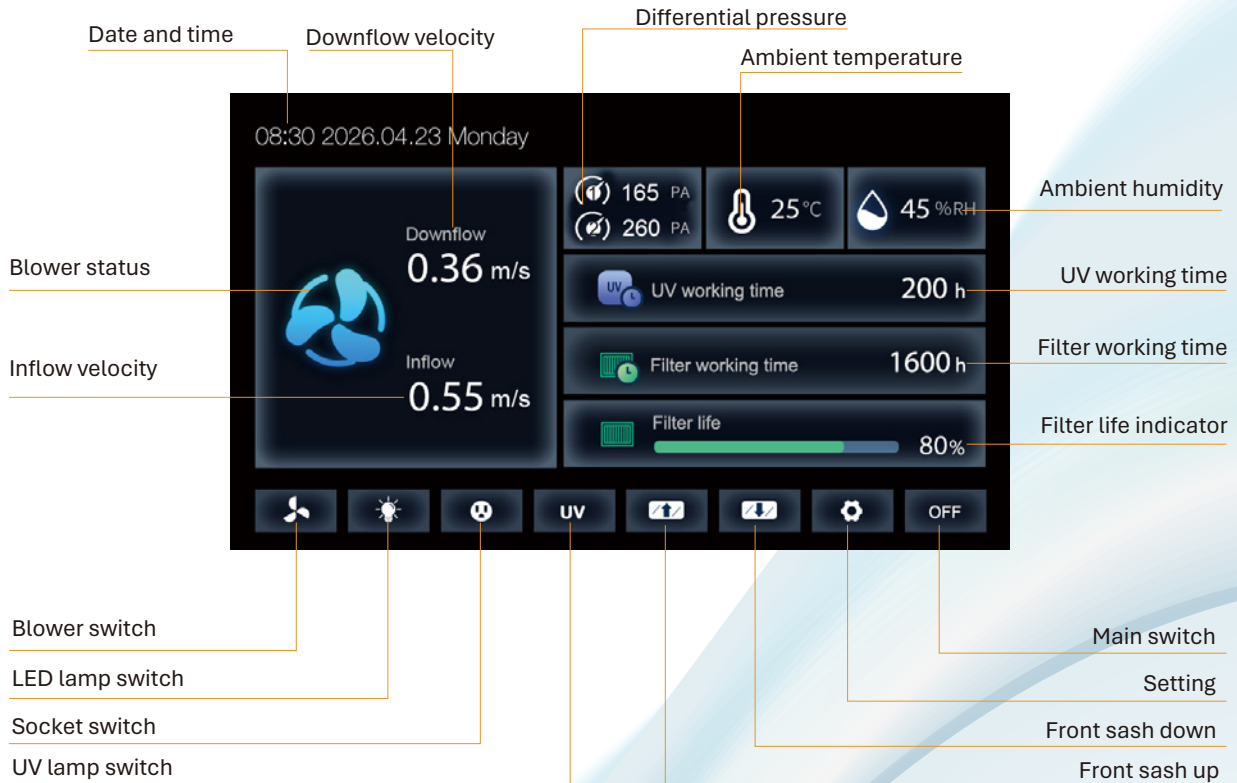
Adjustable height stand

Foot switch for front sash

Foot rest bar

Casters and leveling feet

WiseFlow operating system



Convenient features

WiseSash design

- Motorized sash operated with touch screen, foot switch or remote controller
- Independent manual sash system can be shut down when power failure
- UV-proof sash window glass protecting people during disinfection

WisePort convenience

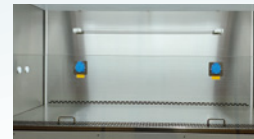
- WisePort at both left and right side walls, providing flexibility to install
- Various valves and pipelines for different applications

WiseClean design

- Front window can be lowered for convenient cleaning
- Work tray can be lifted and supported by rod when cleaning under tray area

Raised arm rest

- Prevent grille blocking
- Comfortable working posture
- End-to-end design for free movement



A universe package, a premium solution

A universe package of PuriFlow B2 cabinet includes:

1. Class II type B2 main cabinet
2. Detachable stand with:
 - Manual adjustable height
 - Casters & leveling feet
 - Foot rest bar
3. Socket x 2
4. Valve port x 4
5. External blower & damper

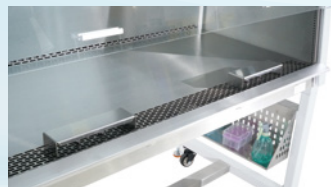


Select optional accessories for your application

Accessory	Description	Cat. No.
User Convenience Equipment	Hanging shelf for base stand	3134100
	Stainless steel armrest (set of two)	3134200
	IV bag holder kit with 10 hooks	3134300
	Remote controller for front sash	3134400
Sidewall Utilities	Gas valve	3132100
	Vacuum valve	3132200
	Water valve	3132300



Hanging shelf



Arm rest



Valve



IV bag holder

Airflow Pattern of Class II Type B2 Cabinet

100% Exhaust (No Recirculation):

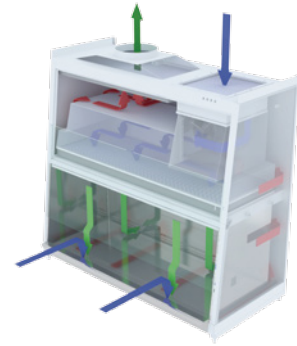
All air is exhausted through a HEPA filter before it enters the ductwork and is dispersed through an external exhaust fan.

Inflow:

Room air enters through the front grill at a specific velocity, prevented from entering the work area.

Downflow:

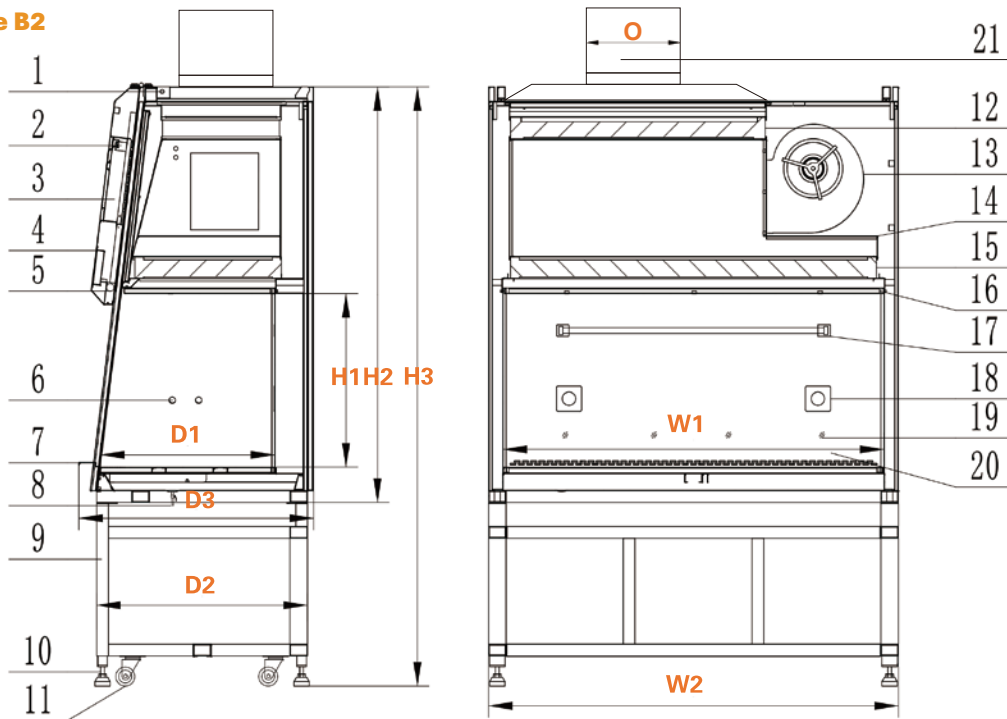
Outside air is drawn through a supply ULPA filter, creating a clean, vertical laminar downflow in the work zone.



- Unfiltered air from the room
- Air from the working area
- ULPA-filtered, particle-free air
- HEPA-filtered air

Engineering drawing

Class II, type B2



- | | | | |
|--------------------|-------------------------------|-------------------------|----------------------|
| 1. Sash motor | 6. Service valve access ports | 11. Caster | 16. Airflow diffuser |
| 2. Circuit breaker | 7. Armrest | 12. Exhaust HEPA filter | 17. UV Lamp |
| 3. Electrical box | 8. Drain valve | 13. Blower | 18. Socket |
| 4. Touch screen | 9. Stand | 14. Plenum chamber | 19. Sash window |
| 5. LED lamp | 10. Leveling foot | 15. Supply ULPA filter | 20. Work zone |
| | | | 21. Exhaust damper |

Model	W1	W2	D1	D2	D3	H1	H2	H3	O
PF-B3	1000	1100	600	720	800	590	1420	2050	300
PF-B4	1300	1400	600	720	800	590	1420	2050	300
PF-B5	1600	1700	600	720	800	590	1420	2050	300

Unit:mm

Technical specifications

Model		PF-B3	PF-B4	PF-B5	
Type		Class II, type B2			
Dimensions & weight	Nominal size	feet/mm	3 feet/ 1000mm	4 feet/ 1300mm	5 feet/ 1600mm
	External (W x D x H)	mm	1100×800×2040	1400×800×2040	1700×800×2040
	Internal (W x D x H)	mm	1000×600×600	1300×600×600	1600×600×600
	Usable working area	m ²	0.6	0.78	0.96
	Working table height		750/800/850/900/950mm adjustable		
	Working height of front window	mm	200	200	200
	Maximum opening height of front window	mm	480	480	480
Electric	Net weight	kg	250	280	320
	Power supply		220V, 50Hz; 220V, 60Hz; 110V, 60Hz		
	Rated power	W	800	900	1000
	Rated current	A	5	5.5	6
	Power consumption	KWh/h	0.7	0.8	0.9
	LED lamp	W	36 x 1	40 x 1	40 x 1
	UV lamp	W	20W x 1	30W x 1	30W x 1
Cleanliness	Receptacle		2, Total 880W, 4A		
	Filter, downflow		U15 ULPA, ≥99.9995% @ MPPS, EN1822		
	Filter, exhaust		H14 HEPA, ≥99.995% @ MPPS, EN1822		
	Cleanliness grade		ISO class 4		
	Total colony in impaction sampler (operator protection) CFU	CFU	≤10	≤10	≤10
	Total colony in slit type sampler (operator protection) CFU	CFU	≤5	≤5	≤5
	Total colony in culture dish (product protection) CFU	CFU	≤5	≤5	≤5
Airflow	Total colony in culture dish (cross contamination) CFU	CFU	≤2	≤2	≤2
	Airflow pattern		100% exhaust		
	Exhaust direction		Top exhaust		
	Average inflow velocity	m/s	0.55	0.55	0.55
	Average downflow velocity	m/s	0.32	0.32	0.3
	Inflow air volume	m ³	396	515	634
	Downflow air volume	m ³	662	861	994
Ergonomics	Exhaust air volume	m ³	1058	1376	1628
	Front sash		Electric sash operated with touch screen, foot switch or remote controller		
	Illumination	lx	>1000	>1000	>1000
	Noise	dB(A)	<60	<61	<63
	Valve (vacuum, gas, water)		○	○	○
	WisePort		4	4	4
	Drain valve		●	●	●
Material	Arm rest		○	○	○
	IV bar		○	○	○
	Blower		DC ECM blower		
	Working tray		SUS304		
	Inner walls		SUS304		
	Main body		Spraying coated steel		
	Front sash		Tempered glass, UV-proof, 6mm		
Control	Stand		Detachable, adjustable height		
	Leveling foot		4	4	4
	Caster		4	4	4
	External exhaust blower		●	●	●
	Display & control		7" Touchscreen		
	ECO mode		●	●	●
	Ambient temperature display		●	●	●
Alarm	Ambient humidity display		●	●	●
	UV lamp working time display		●	●	●
	Filter working time display		●	●	●
	Filter life indicator		●	●	●
	Cabinet ON/OFF timer		●	●	●
	UV timer		●	●	●
	Password protection		●	●	●
Shipping	RS485 port		●	●	●
	Alarm type		Visible and audible alarm		
	Inflow velocity		●	●	●
	Downflow velocity		●	●	●
	Sash height limit		●	●	●
	Fan failure		●	●	●
	Filter life alert		●	●	●
Shipping	Packing size, plywood case (W x D x H)	mm	1210 x 960 x 1710	1510 x 960 x 1710	1810 x 960 x 1710
	Gross weight, plywood case	kg	325	355	410

● Basic equipment ○ Optional

ANTECH

Qingdao Antech Scientific Co., Ltd.

Tel: +86 532 87890321

Email: info@antechscientific.com

Web: www.antechscientific.com

